

INSTRUCTIONS FOR INSTALLING A DOOR FRAME REPLACEMENT KIT IN NATIONAL VENDORS[®], CROWN LINE[®], SERIES OR CABARET 114AP, 800, AND 222 HINGED DOOR MERCHANDISERS, OR CROWN LINE[®], SERIES CC CANDY OR CP PASTRY MERCHANDISERS, OR CROWN LINE[®], CANDY CUPBOARD AND PASTRY CUPBOARD MERCHANDISERS

These Instructions cover procedures for replacing the Door Frame on each of the specified hinged door Merchandiser and the installation and adjustment of a non-retractable Door Support Leg required on the replacement Door Frame.

Because of the differences in the various Merchandisers covered, when the Instructions specify the removal of part, carefully remove and separately store the various attaching parts. These parts will be needed when the replacement parts or the same parts are reassembled on to the Merchandiser. Small coin-envelopes can be labeled and will make proper attaching part reuse easier.

We also suggest that as each step of the work is completed, the corresponding step as given in these Instructions be marked with a check to indicate step completion. The directions right or left are the servicemans as he looks at the parts.

The Kits covered by these Instructions are as follows:

1. Kit 112-2612 applies to the Crown Line, Series CC Candy and CP Pastry hinged door Merchandisers.
2. Kit 112-2613 applies to the Crown Line, Series CC Candy and CP Pastry Merchandisers with Coin Blockout hinged doors.
3. Kit 112-2764 applies to the Crown Line, Candy Cupboard and Pastry Cupboard hinged door Merchandisers.
4. Kit 112-2616 applies to the Crown Line, Candy Cupboard and Pastry Cupboard Merchandisers with Coin Blockout hinged doors.
5. Kit 220-2665 applies to the Crown Line, Series 114AP and 800 Cigarette hinged door Merchandisers.
6. Kit 220-2771 applies to the Crown Line, Cabaret 114AP and 800 Cigarette hinged door Merchandiser.
7. Kit 222-2829 applies to the Crown Line, Cabaret 222 Cigarette hinged door Merchandiser.
8. Kit 222-2828 applies to the Crown Line, Series 222-Cigarette hinged door Merchandiser.

Read the Instructions carefully and thoroughly before proceeding with the actual removal and replacement procedures. Retain the Instructions for part number and replacement information.

Door Frame Kit, 112-2612, contains the following items:

Part Number	Description	Quantity
112-1507	Hinge Pin	1
112-2501	Door Frame	1
117-2021	1/4"-20 Conical, Serrated-Washer Nut	1
222-2822	Support Bracket Assembly	1
222-2825	Door Support Assembly	1
9900-046	No.8-32 x 1/4" Round Hd. Slot, Self Tapping Screw	4
222-2699	Stability Leg Caution Label	1
222-2827	Installation Instructions	1
	* * *	

Door Frame Kit, 112-2613, contains the following items:

Part Number	Description	Quantity
112-1507	Hinge Pin	1
112-2536	Door Frame	1
117-2021	1/4"-20 Conical, Serrated-Washer Nut	1
222-2822	Support Bracket Assembly	1
222-2825	Door Support Assembly	1
9900-046	No.8-32 x 1/4" Round Hd. Slot, Self Tapping Screw	4
222-2699	Stability Leg Caution Label	1
222-2827	Installation Instructions	1
	* * *	

Door Frame Kit, 112-2764, contains of the following items:

Part Number	Description	Quantity
112-1507	Hinge Pin	1
112-2717	Door Frame	1
117-2021	1/4"-20 Conical, Serrated-Washer Nut	1

222-2827

222-2822	Support Bracket Assembly	1
222-2825	Door Support Assembly	1
9900-046	No.8-32 x 1/4" Round Hd. Slot, Self Tapping Screw	4
222-2699	Stability Leg Caution Label	1
222-2827	Installation Instructions * * *	1

Door Frame Kit, 112-2616 contains the following items:

Part Number	Description	Quantity
112-1507	Hinge Pin	1
112-2736	Door Frame	1
117-2021	1/4"-20 Conical, Serrated- Washer Nut	1
222-2822	Support Bracket Assembly	1
222-2825	Door Support Assembly	1
9900-046	No.8-32 x 1/4" Round Hd. Slot, Self Tapping Screw	4
222-2699	Stability Leg Caution Label	1
222-2827	Installation Instructions * * *	1

Door Frame Kit, 220-2665, contains the following items:

Part Number	Description	Quantity
112-1507	Hinge Pin	1
220-2647	Door Frame	1
117-2021	1/4"-20 Conical, Serrated- Washer Nut	1
222-2822	Support Bracket Assembly	1
222-2825	Door Support Assembly	1
9900-046	No.8-32 x 1/4" Round Hd. Slot, Self Tapping Screw	4
222-2699	Stability Leg Caution Label	1
222-2827	Installation Instructions * * *	1

Door Frame Kit, 220-2771, contains the following items:

Part Number	Description	Quantity
112-1507	Hinge Pin	1
220-2763	Door Frame	1
117-2021	1/4"-20 Conical, Serrated- Washer Nut	1
222-2822	Support Bracket Assembly	1
222-2825	Door Support Assembly	1
9900-046	No.8-32 x 1/4" Round Hd. Slot, Self Tapping Screw	4
222-2699	Stability Leg Caution Label	1
222-2827	Installation Instructions * * *	1

Door Frame Kit, 222-2829, contains the following items:

Part Number	Description	Quantity
112-1507	Hinge Pin	1
222-2812	Door Frame	1
117-2021	1/4"-20 Conical, Serrated- Washer Nut	1
222-2822	Support Bracket Assembly	1
222-2825	Door Support Assembly	1
9900-046	No.8-32 x 1/4" Round Hd. Self-Tapping Screw	4
222-2699	Stability Leg, Caution Label	1
222-2827	Installation Instructions * * *	1

Door Frame Kit 222-2828, contain the following items:

Part Number	Description	Quantity
112-1507	Hinge Pin	1
222-2675	Door Frame	1
117-2021	1/4"-20 Conical, Serrated- Washer Nut	1
222-2822	Support Bracket Assembly	1
222-2825	Door Support Assembly	1
9900-046	No.8-32 x 1/4" Round Hd. Slot, Self Tapping Screw	4
222-2699	Stability Leg Caution Label	1
222-2827	Installation Instructions * * *	1

TO INSTALL THE KIT

A. PARTS REMOVAL

1. Remove Service Cord from Wall Receptacle.
2. Open the Cabinet Door.
3. Disconnect Door Wire Harness from Cabinet Wire Harness.
4. Remove the two screws that secure the Door Holder Leg Assembly to the Door Frame.
5. Remove the Door Holder Leg Assembly.
6. Remove the Self-Locking Nut and special Screw that secures the Door Holder Roller to the Door Holder Bracket.
7. Remove the Door Holder Roller.

NOTE

The Door Holder Leg and Bracket may be discarded. The Door Holder Roller and hardware removed in steps 6 and 7 are to be reused.

8. Unfasten and remove all remaining parts and assemblies, including the Door Lock, from the Door. When completed, the Door should appear similar to the Door Frame included in the Kit.

NOTE

Care should be taken when removing parts to insure their proper replacement on the new Door Frame.

9. Extract Hinge Pin.
10. Remove Door Frame from Cabinet.

B. TO INSTALL THE DOOR FRAME KIT

1. Apply a thin coat of lubricating oil to the Hinge Pin supplied in the Kit.
2. Place the Door Frame supplied in the Kit into the Cabinet Hinge.
3. Insert the Hinge Pin to secure the Door to the Cabinet.
4. Insert the rod end of the Door Support Assembly, Kit Part Number 222-2825, through the cutout in the Door and into the knockout provided in the bottom of the Door. The cutout is in the approximate area formerly occupied by the Door Holder Bracket. See Figure 1.
5. Insert the threaded end of the stud on the Door Support into the slot of the Support Bracket Assembly, Kit Part Number 222-2822, and secure in place at the upper end of the slot with the 1/4"-20 Conical Serrated- Washer Nut, Kit Part Number 117-2021. Do not tighten the Nut.
6. Secure the Support Bracket to the Door with the four No.8-32 x 1/4" self-tapping Screws, Kit Part Number, 9900-046.

7. Place the Door Holder Roller removed in Step A-7 on the left side of the Door Support Bracket and secure with the Special Screw and self locking Nut removed in Step A-6. See Figure 1.
8. Affix Stability Leg Caution Label, Kit Part Number 222-2699, to the right of the Door Support Bracket. See Figure 1.
9. Replace all the parts and assemblies that were removed in Step A-8 on the replacement Door.
10. Connect the Door Wire Harness to the Cabinet Wire Harness.
11. Adjust the Door Support, if necessary. See "Adjustment of the Door Support" in these Instructions.
12. Close the Cabinet Door.
13. Connect Service Cord to the wall receptacle.

WARNING

THE DOOR SUPPORT IS AN IMPORTANT SAFETY DEVICE. DO NOT REMOVE IT OR LEAVE IT OFF THE MERCHANDISER.

C. ADJUSTMENT OF THE DOOR SUPPORT.

To adjust the Door Support:

1. Open the Door a full 90-degrees.
2. Loosen the 1/4-20 Conical Serrated-Washer Nut that secures the Door Support. See Figure 1.
3. Set the Door Support to provide a 1/8 inch maximum clearance between the lower tip of the Door Support and floor when opening or closing the Door. It may be necessary to move the Merchandiser to obtain the 1/8 inch clearance.
4. Tighten the self-locking nut to secure the Door Support.

NOTE

The Door Support must be adjusted concurrent with any significant change in Leg Leveler position.

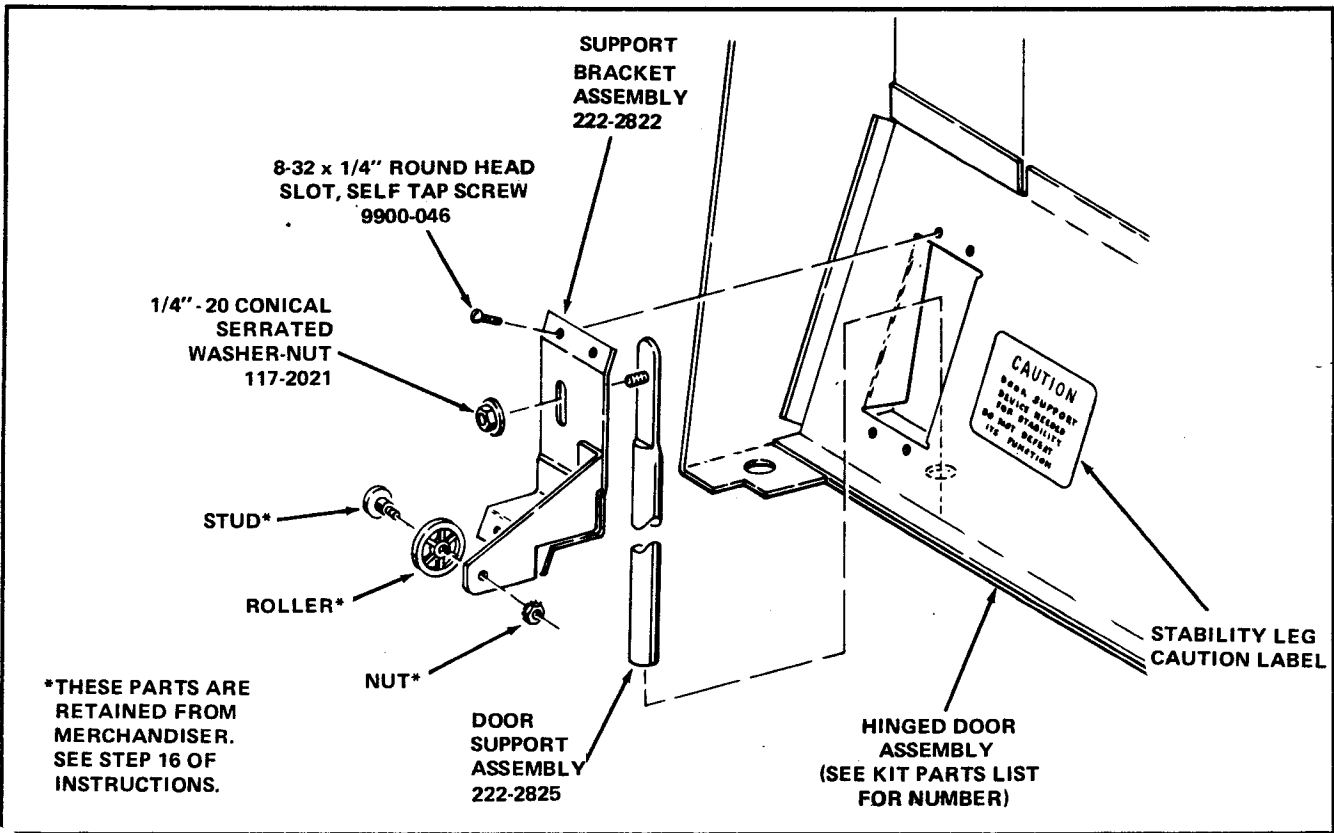


FIGURE 1